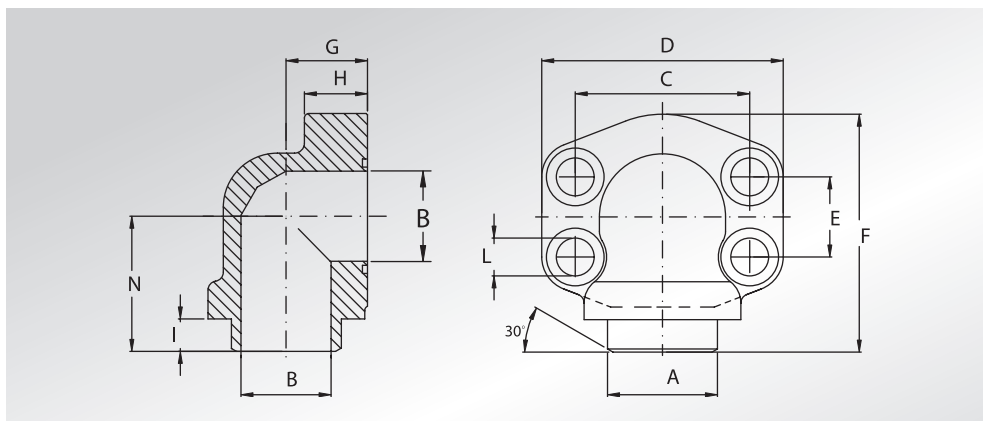




# FLANGE A 90° A SALDARE DI TESTA

## WELD ON 90° FLANGES



Pressione max di esercizio raccomandata Kg/cm <sup>2</sup>	Grandezza	Tipo	Dimensioni											Viti		Or tipo	Peso Kg
Maximum recommended working pressure Kg/cm <sup>2</sup>	Size	Type	Dimensions											Screws		Or type	Weight Kg
			A	B	C	D	E	F	G	H	I	L	N	Metric	Unc		

### SERIE 3000

345	1/2"	AFS08090ST	21,5	13	38,10	54	17,48	60	20	16	16	9	37	M8x30	5/16"x1"1/4	4075	0,28
345	1/2"	AFS08090ST038	17,5	13	38,10	54	17,48	60	20	16	16	9	37	M8x30	5/16"x1"1/4	4075	0,29
345	3/4"	AFS10090ST	27,0	19	47,63	65	22,23	63	24	18	16	11	38	M10x35	3/8"x1"1/2	4100	0,45
345	1"	AFS10290ST	34,5	25	52,37	70	26,19	70	28	19	19	11	43	M10x35	3/8"x1"1/2	4131	0,56
276	1"1/4	AFS10490ST	42,8	32	58,72	79	30,18	85	34	21	21	11,5	51	M10x40	7/16"x1"3/4	4150	0,89
207	1"1/2	AFS10690ST	48,6	38	69,85	93	35,71	95	38	25	21	13,5	56	M12x45	1/2"x1"3/4	4187	1,18
207	2"	AFS10890ST	61,0	51	77,77	110	42,88	110	42	25	15	13,5	65	M12x45	1/2"x1"3/4	4225	2,06

### SERIE 6000

414	1/2"	AFS40190ST012	21,5	13	40,49	54	18,24	60	20	16	16	9	37	M8x30	5/16"x1"1/4	4075	0,28
414	1/2"	AFS40190ST038	17,5	13	40,49	54	18,24	60	20	16	16	9	37	M8x30	5/16"x1"1/4	4075	0,29
414	3/4"	AFS40290ST	28,0	19	50,80	70	23,80	70	28	19	17	11	43	M10x40	3/8"x1"1/2	4100	0,69
414	1"	AFS40390ST	34,0	25	57,15	79	27,76	85	34	21	19	13	51	M12x45	7/16"x1"3/4	4131	1,11
375	1"1/4	AFS40490ST	42,8	32	66,68	93	31,75	95	38	25	19	15	56	M14x45	-	4150	1,45
375	1"1/4	AFS40490STL13	42,8	32	66,68	93	31,75	95	38	25	19	13,5	56	M12x45	1/2"x1"3/4	4150	1,45
320	1"1/2	AFS40590ST	48,6	38	79,38	110	36,50	110	42	25	24	17	65	M16x55	5/8"x2"1/4	4187	2,75
250	2"	AFS40690ST	61,0	51	96,82	134	44,45	132	45	35	18	21	75	M20x70	3/4"x2"3/4	4225	3,55
414	2"	AFS40690SRE60	61,0	40	96,82	134	44,45	132	45	35	18	21	75	M20x70	3/4"x2"3/4	4225	3,55
414	2"	AFS40690SRE76	76,0	50	96,82	134	44,45	132	45	35	18	21	75	M20x70	3/4"x2"3/4	4225	3,55

PER QUESTA TIPOLOGIA DI PRODOTTO, VERIFICATE SEMPRE SE LA QUOTA "A" E "B" CORRISPONDE ALLA SCHEDULA DEL VOSTRO TUBO

FOR THIS KIND OF PRODUCT, PLEASE ALWAYS VERIFY IF DIMENSION "A" AND "B" CORRESPOND TO THE SCHEDULE OF YOUR TUBE

DESIGNAZIONE PER ORDINE DESIGNATION FOR ORDER	Materiale / Material	
	S355	AISI 316L
Solo flangia Only flange	<b>AFS...90ST</b>	<b>AFX...90ST</b>
Flangia completa di viti metriche, grower e o-ring Flange complete of metric screws, grower type washers and o-ring	<b>AFS...90STM</b>	<b>AFX...90STM</b>
Flangia completa di viti unc, grower e o-ring Flange complete of unc screws, grower type washers and o-ring	<b>AFS...90STU</b>	<b>AFX...90STU</b>

### NOTE / NOTES

set viti unc disponibili solo in acciaio al carbonio  
unc screws set available only in carbon steel