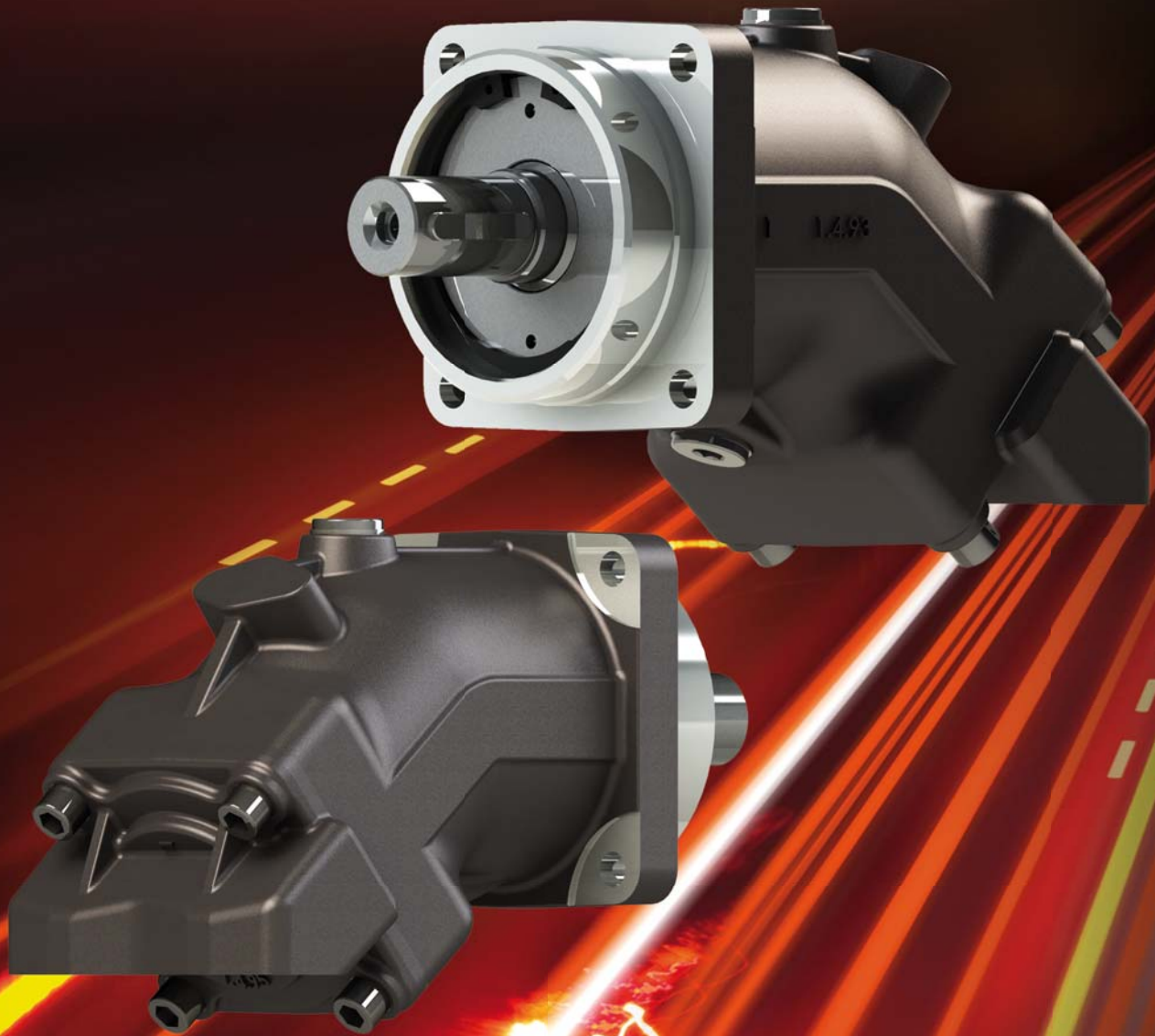


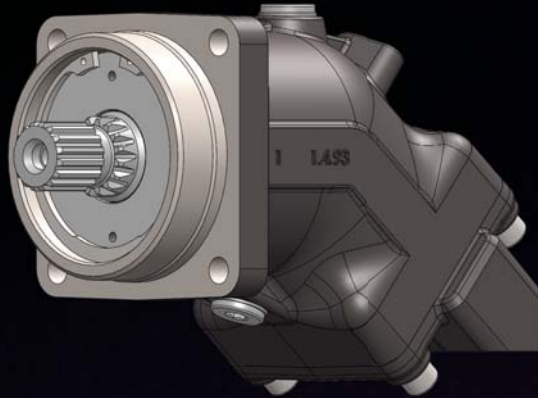
BENT AXIS PISTON MOTORS SERIES "HPM"

The birotational bent axis piston motors series HPM are suitable for any kind of hydraulic applications, which require high performances. These motors ensure low level noise in combination with compact size and robust design and are produced using the latest technology. The range includes sizes from 12 up to 130cc combined with different transmission shafts, coupling flanges and ports.

DYNAMIC POWER



FLANGE ISO 3019-2



TECHNICAL FEATURES

Displacement	cm ³ /rev		12	17	25	34	40	47	55	64	80	90	108	130
Working pressure	bar	Max. intermittent	400											
		Max. continuous	350											
Rotation speed	rpm	Max. intermittent	6800				5500				4500			
		Max. continuous	6300				5000				4000			
		Min. continuous	100											
Power	kW	Max. intermittent	54	77	113	154	147	172	202	235	240	270	324	390
		Max. continuous	18	26	38	51	49	57	67	78	80	90	108	130
Starting torque	Nm/bar		0,26	0,33	0,43	0,56	0,63	0,7	0,83	0,97	1,3	1,43	1,6	1,8
Mass inertial moment (x 10 ⁻⁴)	kg m ²		11,5		12,5		35,5				61			
Max. pressure in the housing	bar		20											
Weight	kg		14				18,2				23			

VERSIONS CODING

FLANGE TYPE



SHAFT



REAR COVER & PORTINGS



DISPLACEMENT



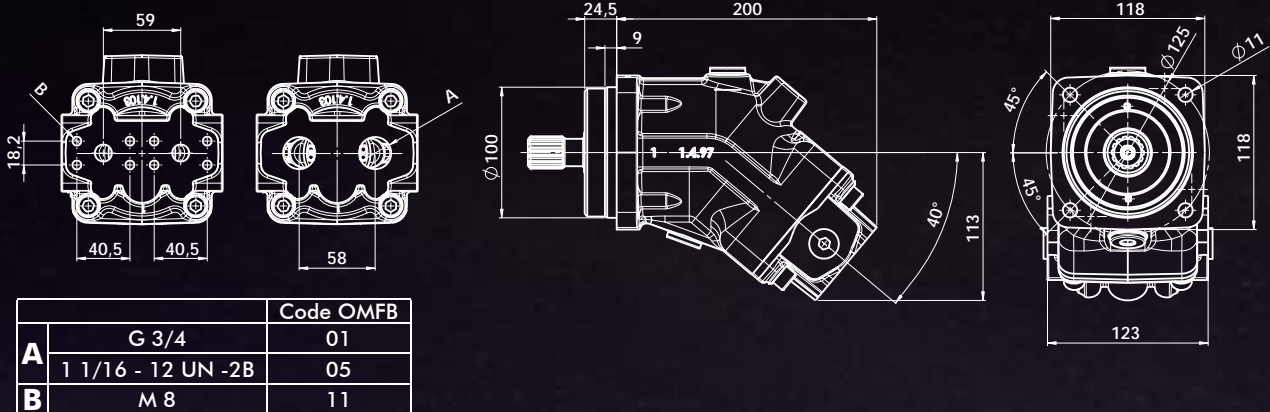
VARIANTS



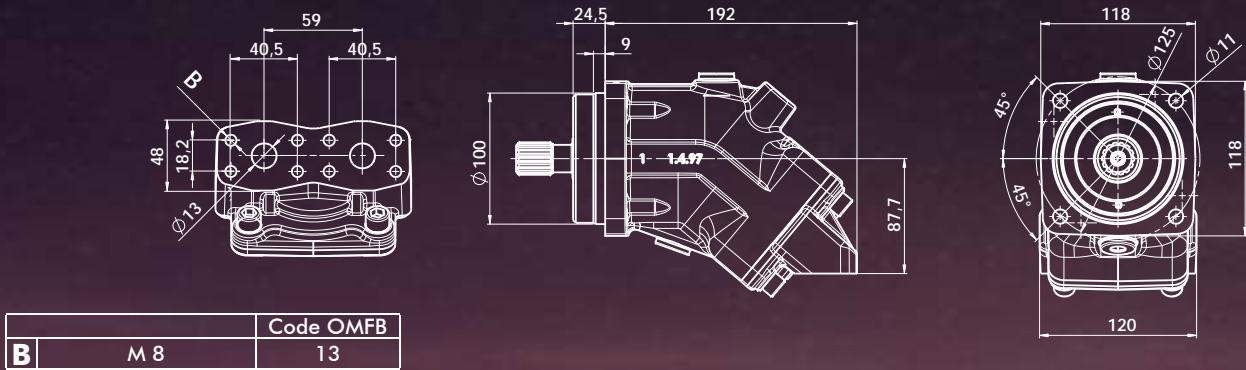
Flange type	Code OMFB	Shaft type	Code OMFB	Rear cover and portings	Code OMFB	
ISO 3019-2 4H ø 80 LONG	240	DIN 5480 W20x1,25x14x9g	008	BSPP (GAS) 40°	01	012
ISO 3019-2 4H ø100 LONG	242	DIN 5480 W25x1,25x18x9g	011	BSPP (GAS) 90° + LATERAL	02	017
ISO 3019-2 4H ø125 LONG	244	DIN 5480 W30x2x14x9g	014	UNF 40°	05	025
ISO 3019-2 4H ø140 LONG	246	DIN 5480 W32x2x14x9g	017	SAE 6000 - 40° METRIC SCREWS VERTICAL	10	034
ISO 3019-2 4H ø160 LONG	248	DIN 5480 W35x2x16x9g	020	SAE 6000 - 40° METRIC SCREWS HORIZONTAL	11	040
		DIN 5480 W40x2x18x9g	023	SAE 6000 - 90° METRIC SCREWS VERTICAL	12	047
		DIN 5480 W45x2x21x9g	026	SAE 6000 - 90° METRIC SCREWS HORIZONTAL	13	055
		DIN 6885 K20 - ø20 k6	041	SAE 6000 - METRIC SCREWS LATERAL	14	064
		DIN 6885 K25 - ø25 k6	044	SAE 6000 - METRIC SCREWS LATERAL+PANEL	15	066
		DIN 6885 K30 - ø30 k6	047	SAE 6000 - 40° UNC SCREWS VERTICAL	20	080
		DIN 6885 K35 - ø35 k6	050	SAE 6000 - 40° UNC SCREWS HORIZONTAL	21	090
		DIN 6885 K40 - ø40 k6	053			108
		DIN 6885 K45 - ø45 k6	056			130

FLANGE ISO 3019-2 $\phi 100$ displacement 25-34

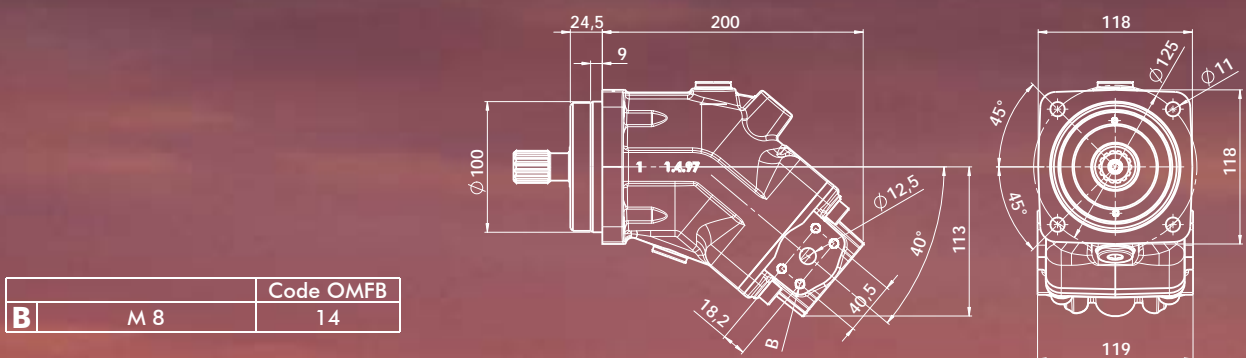
PORTINGS SAE J518-1/2" 6000psi - 40° rear cover



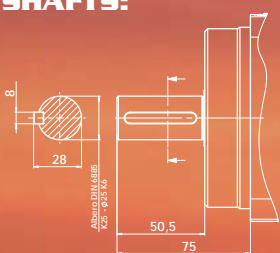
PORTINGS SAE J518-1/2" 6000psi - 90° rear cover



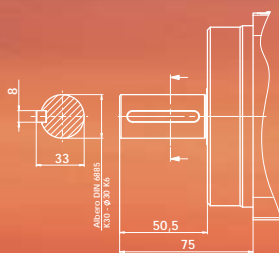
PORTINGS SAE J518-1/2" 6000psi - REAR LATERAL COVER



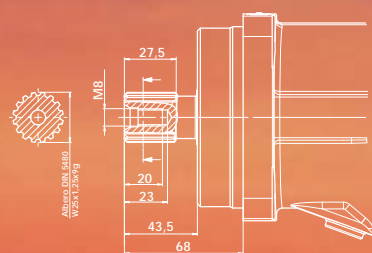
SHAFTS:



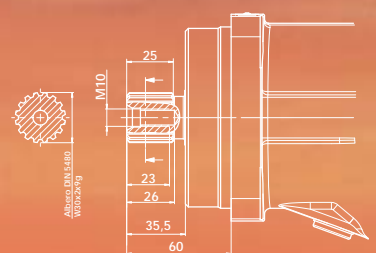
DIN 6885
K25 - $\phi 25$ k6



DIN 6885
K30 - $\phi 30$ k6



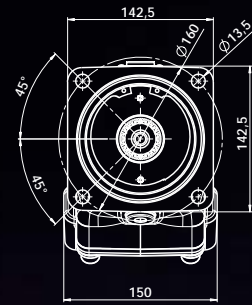
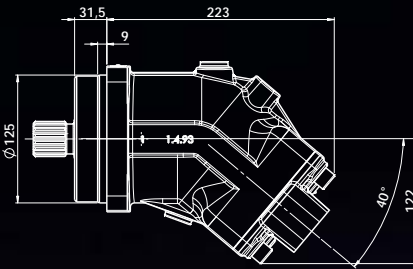
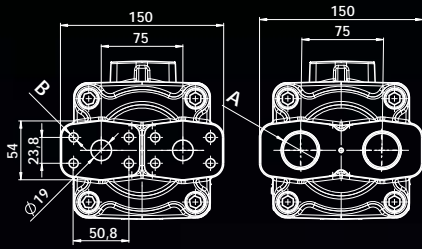
DIN 5480
W25x1.25x18x9g



DIN 5480
W30x2x14x9g

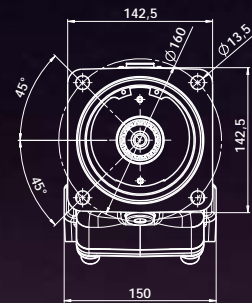
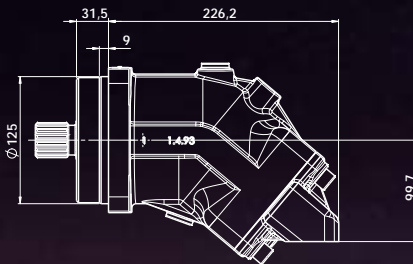
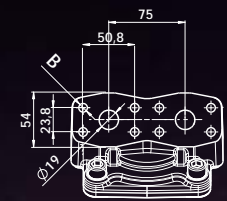
FLANGE ISO 3019-2 $\phi 125$ displacement 40-47-55-64

PORTINGS SAE J518-3/4" 6000psi - 40° REAR COVER



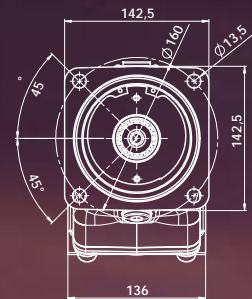
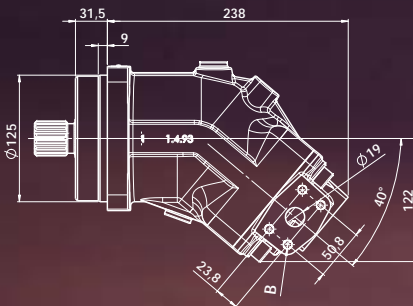
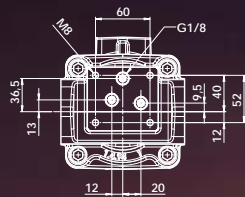
		Code OMFB
A	G 1	01
	1 5/16 - 12 UN - 2B	05
B	M 10	11
	3/8-16 UNC-2B	21

PORTINGS SAE J518-3/4" 6000psi - 90° REAR COVER



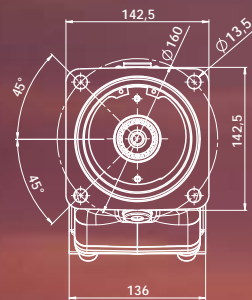
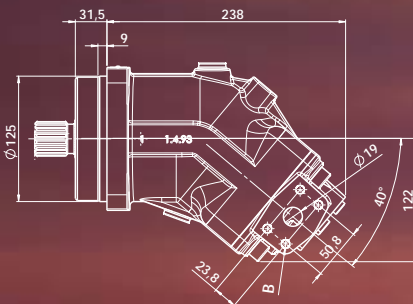
		Code OMFB
B	M 10	13

PORTINGS SAE J518-3/4" 6000psi - REAR LATERAL COVER+PANEL



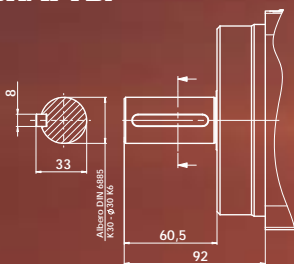
		Code OMFB
B	M 10	15

PORTINGS SAE J518-3/4" 6000psi - REAR LATERAL COVER

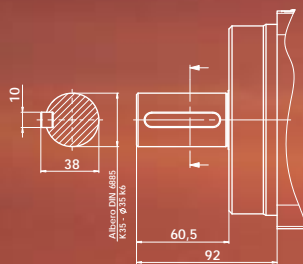


		Code OMFB
B	M 10	14

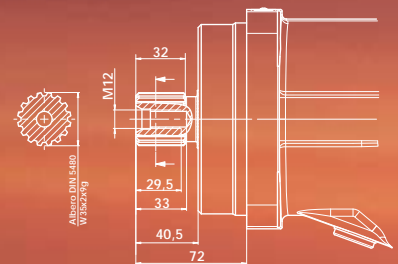
SHAFTS:



**DIN 6885
K30 - $\phi 30$ k6**

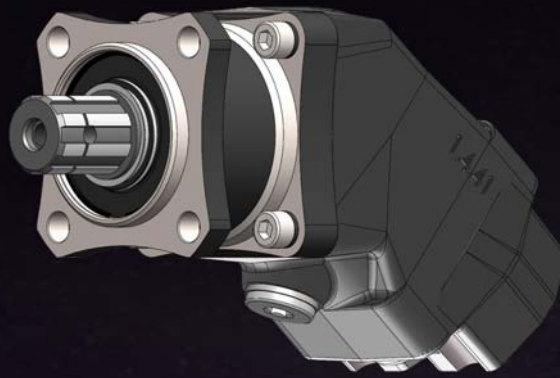


**DIN 6885
K35 - $\phi 35$ k6**



**DIN 5480
W35x2x16x9g**

FLANGE ISO 7653-D



TECHNICAL FEATURES

Displacement	cm ³ /rev		12	17	25	34	40	47	55	64	84	108	130	
Working pressure	bar	Max. intermittent	400										270	
		Max. continuous	350										250	
Rotation speed	rpm	Max. intermittent	3000				2500				2000			
		Max. continuous	2300				1900				1500			
		Min. continuous	100											
Power	kW	Max. intermittent	24	34	50	68	67	78	92	107	112	144	117	
		Max. continuous	8	11	17	23	22	26	31	36	38	48	39	
Starting torque	Nm/bar		0,26	0,33	0,43	0,56	0,63	0,7	0,83	0,97	1,3	1,6	1,8	
Mass inertial moment (x 10 ⁻⁴)	kg m ²		11,5		12,5		35,5				61			
Max. pressure in the housing	bar		20											
Weight	kg		8,8				13,2				18,2			

VERSIONS CODING

FLANGE TYPE

SHAFT

REAR COVER & PORTINGS

DISPLACEMENT

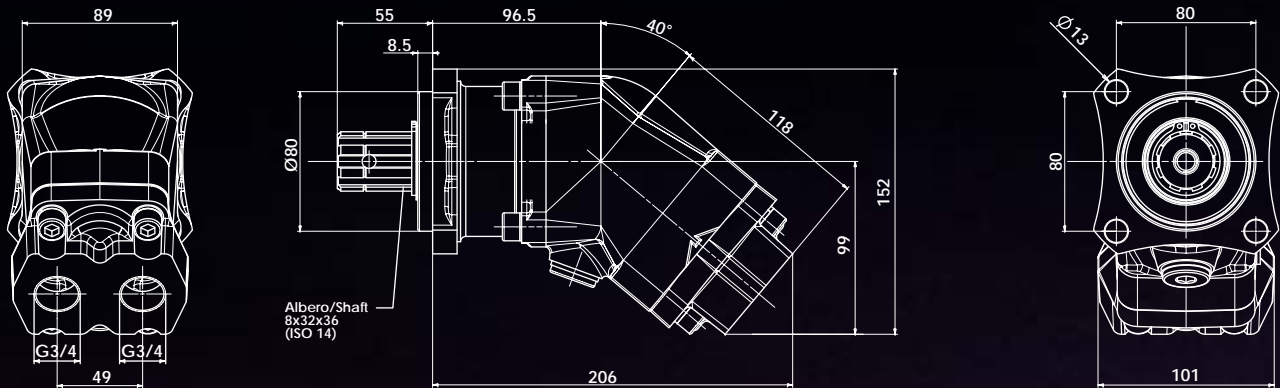
VARIANTS



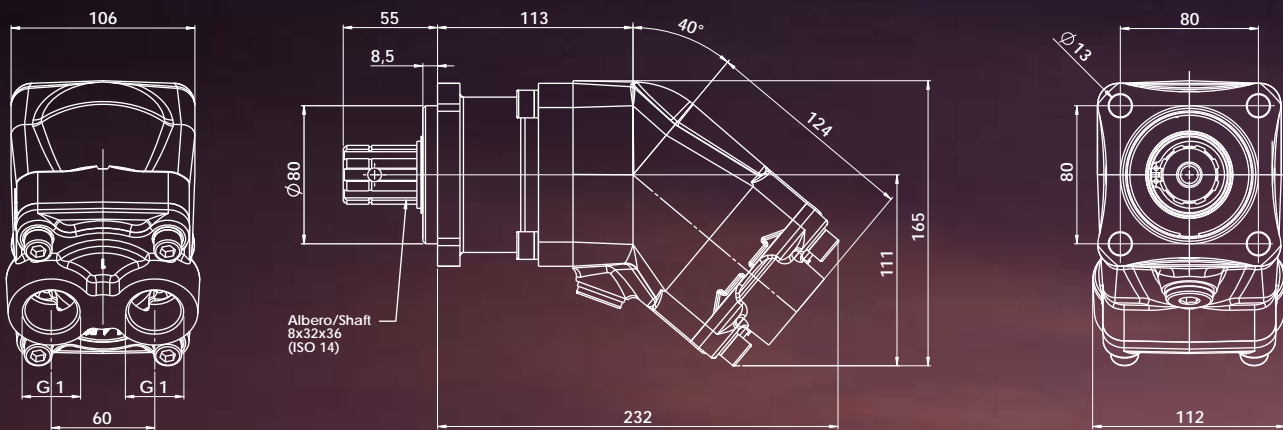
Flange type	Code OMFB	Shaft type	Code OMFB	Rear cover and portings	Code OMFB	
ISO 7653 4 holes Ø80	201	DIN 5462 8x32x36 (ISO 14)	001	BSPP (GAS) 40°	01	012
				BSPP (GAS) 90° + LATERAL	02	017
				UNF 40°	05	025
				SAE 6000 - 40° METRIC SCREWS VERTICAL	10	034
				SAE 6000 - 40° METRIC SCREWS HORIZONTAL	11	040
				SAE 6000 - 90° METRIC SCREWS VERTICAL	12	047
				SAE 6000 - 90° METRIC SCREWS HORIZONTAL	13	055
				SAE 6000 - METRIC SCREWS LATERAL	14	064
				SAE 6000 - 40° UNC SCREWS VERTICAL	20	084
				SAE 6000 - 40° UNC SCREWS HORIZONTAL	21	108
						130

FLANGE ISO 7653-D $\varnothing 80$

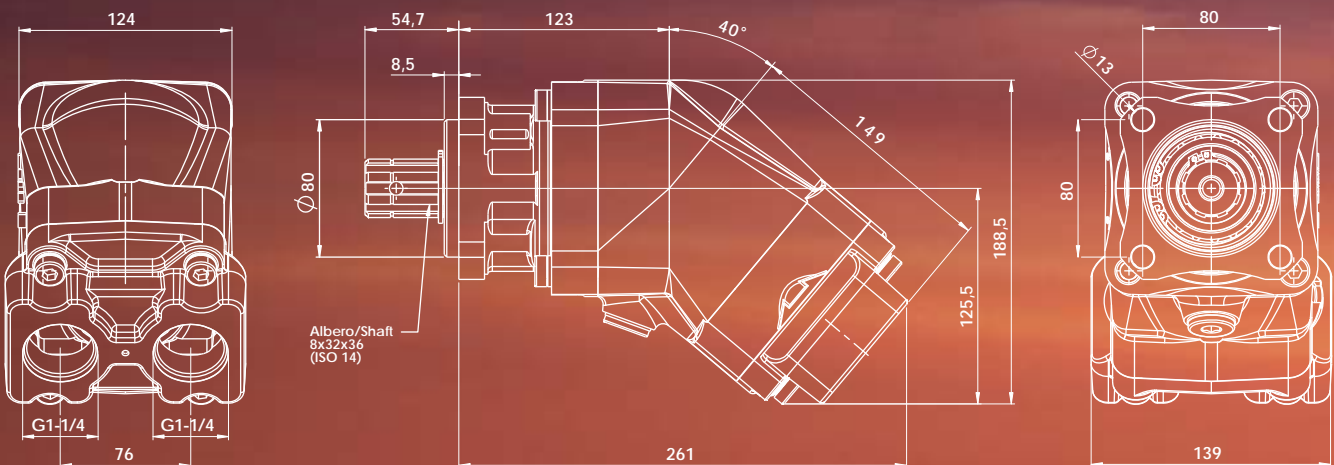
BSPP (GAS) 40° - G 3/4 - DISPLACEMENT 12-17-25-34



BSPP (GAS) 40° - G 1 - DISPLACEMENT 40-47-55-64

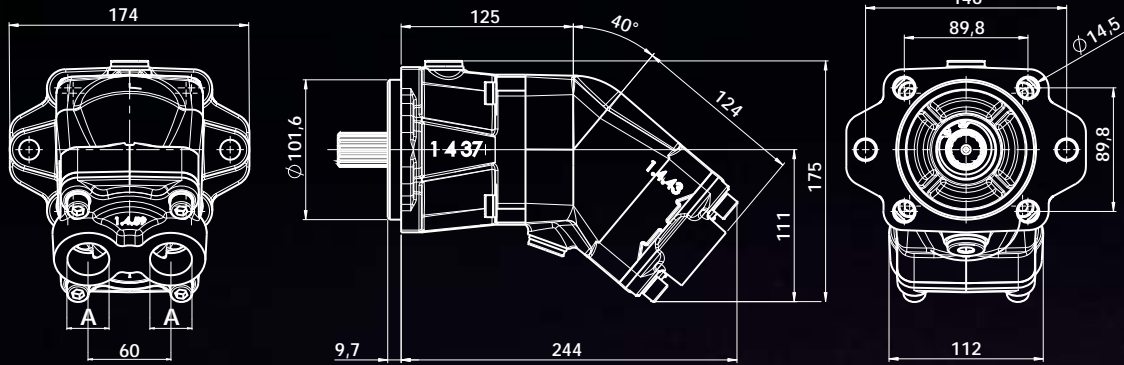


BSPP (GAS) 40° - G 1-1/4 - DISPLACEMENT 84-108-130



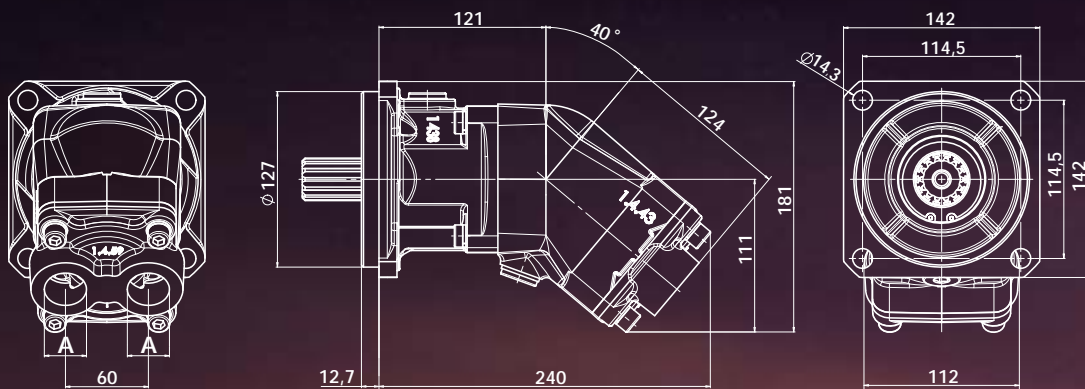
FLANGE SAE J-744

SAE B 2-4 HOLES



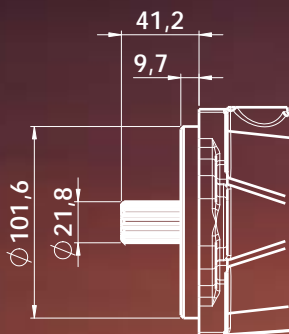
		Code OMFB
A	G 1	01
	1 5/16 - 12 UN -2B	05

SAE C

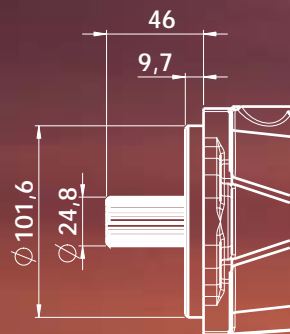


		Code OMFB
A	G 1	01
	1 5/16 - 12 UN -2B	05

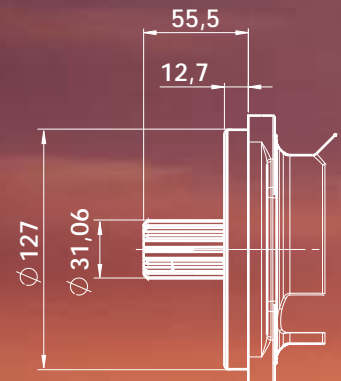
SHAFTS:



SAE B
13T 16/32DP



SAE BB
15T 16/32DP



SAE C
14T 12/24DP

